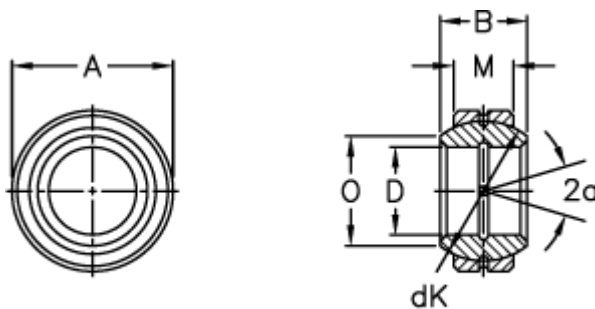


Article number: 03506180

Description: Fluro Rod end GE 180FO-2RS

Measures



Str. 6-12 uden smørerille

A	= 290 0 -0,035	Tilt angle = 14
B	= 155	Weight = 35400
D	= 180 0 -0,025	
dK	= 250	
Dynamic load C (kN)	= 2120	
M	= 100	
O	= 196.1	
Static load C0 (kN)	= 10600	